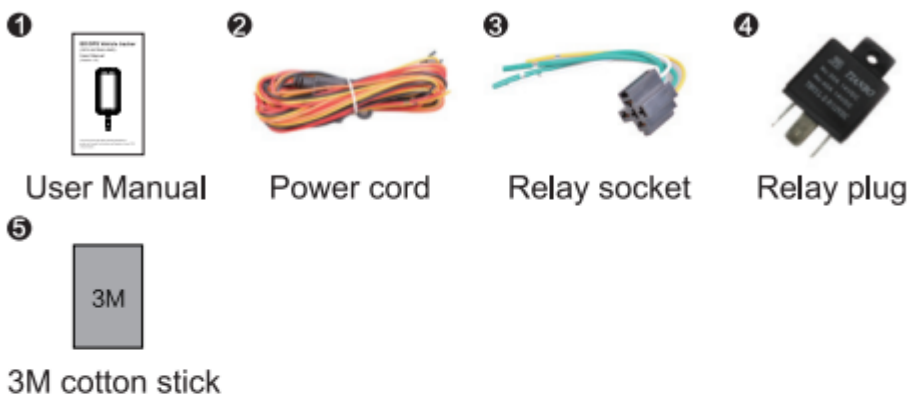


## 1. Start Guide

### 1.1 Accessories



### 1.2 Main Functions

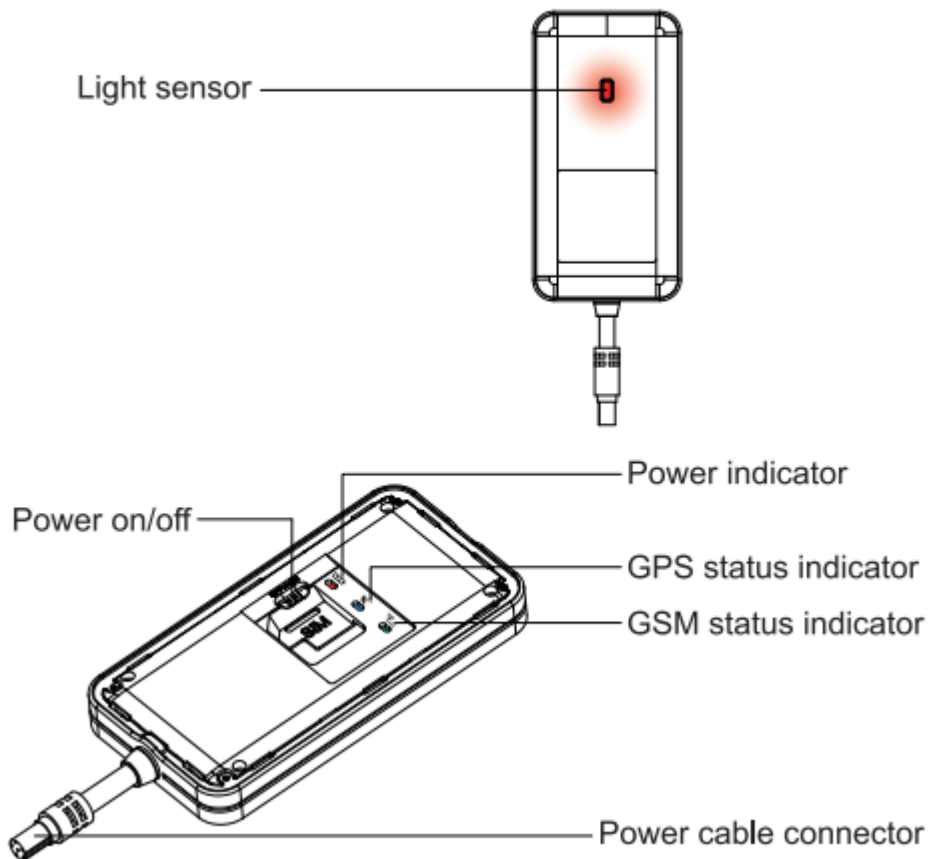
- ⊙ Real-time tracking
- ⊙ Vibration/Displacement/Low battery/Power off alert
- ⊙ ACC detection
- ⊙ History playback
- ⊙ Geo-fence
- ⊙ OTA update
- ⊙ Remotely control electricity/oil
- ⊙ Tamper alert
- ⊙ External voltage detection

### 1.3 Specifications

Communication system	WCDMA/GSM
Frequency	WCDMA 850/900/1900/2100 MHz
	GSM 850/900/1800/1900 MHz
Operating Voltage	9-36VDC
Location Time	Cold Start: < 35s (open sky)
	Hot Start: < 2s (open sky)
Location Accuracy	< 10 meters
Operating Temperature	-20℃— +70℃
Dimension	85.0(L) x 45(W) x 13(H) mm
Weight	60g

## 2. My device

### 2.1 Appearance



### 2.2 LED indicators

GPS LED Indicator - Blue	
Flashing (interval 0.1s)	Searching BD/GPS signal
Solid blue	BD/GPS positioned
OFF	GPS sleep or off

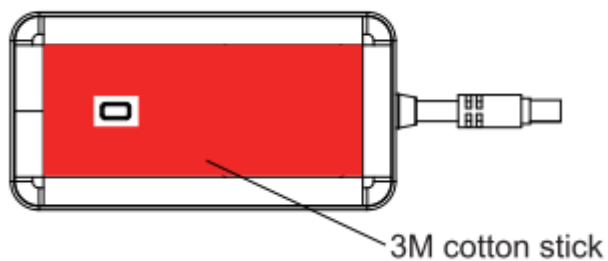
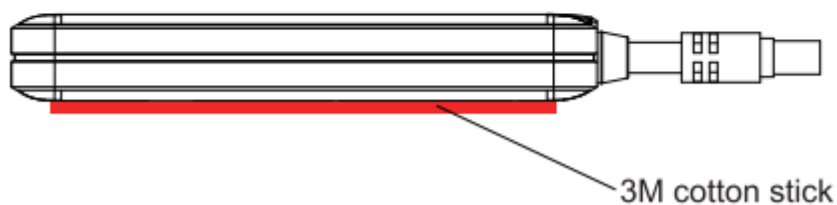
GSM LED Indicator - Green	
Quick flashing	GSM initializing
Slow flashing	Receive GSM signal normally
Solid green	Connected to GPRS network
OFF	No GSM signal or SIM card

Power Status - Red	
Flashing	Low battery
Slow flashing	Full charge/Work normally
Solid Red	Charging
OFF	Low battery/Power off

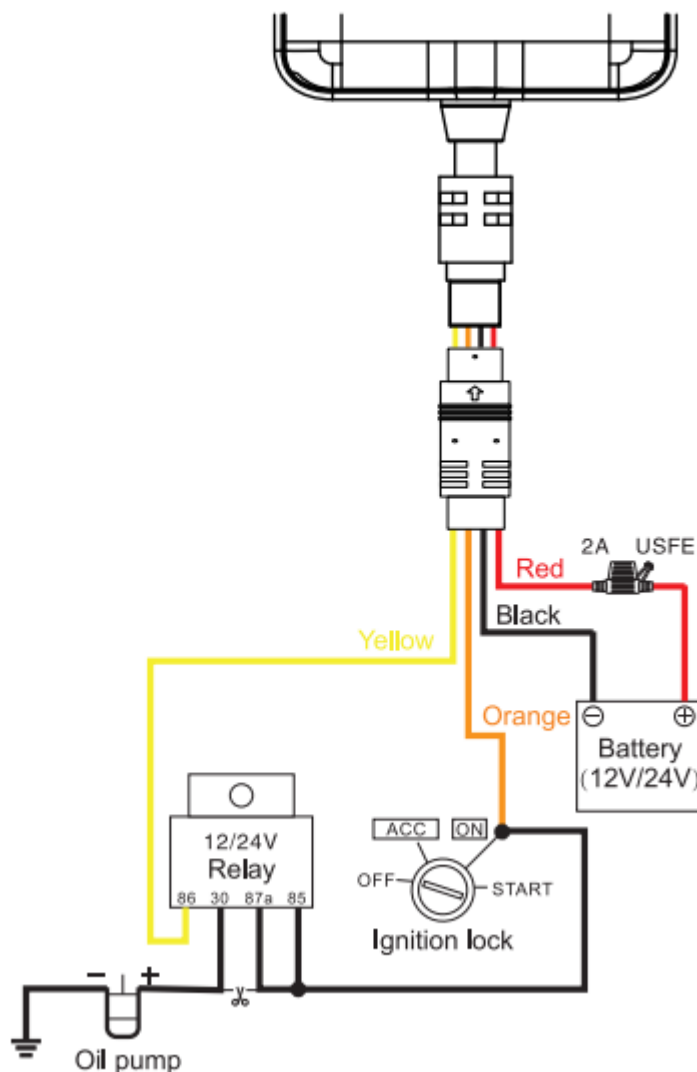
## 3. Installation

### 3.1 Installation position

1. Please install the device upwards (LED indicators facing upward).
2. If the windshield has been pasted by lagging and heating, GPS signals will be weakened, which may results in abnormal GPS work, so please change GPS tracker installation position.



## 3.2 Wiring configuration



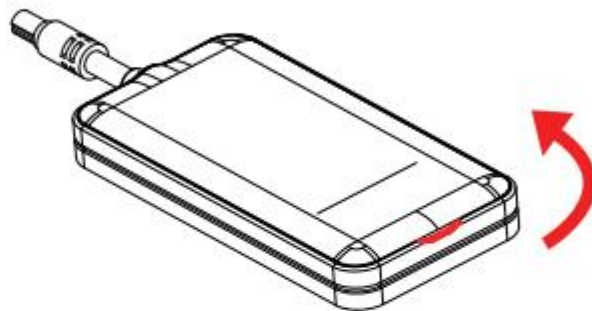
- 1) The standard power supply ranges from 9V to 36VDC. Please use the power cord from original factory. Red line means positive side while black line means negative side. During installation, negative side should connect to the ground.
- 2) ACC line (orange) connects to vehicle's ACC, detecting ignition and flameout.
- 3) Device's oil and electricity control line (yellow) connects to relay's 86. (thin yellow line of relay socket)

## 4. Install the SIM card

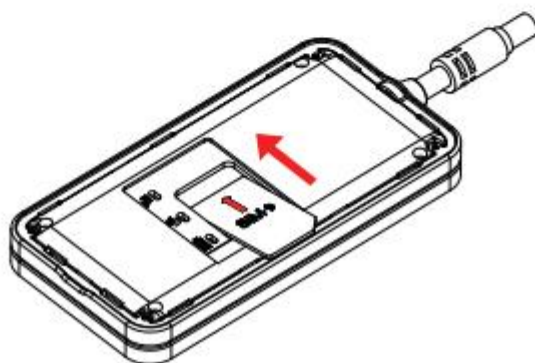
**Note:**

1. Please power off the device before install or remove the SIM card.

1) Open the cover



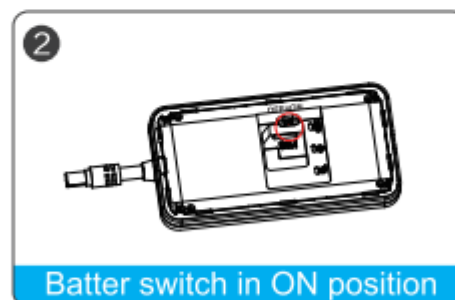
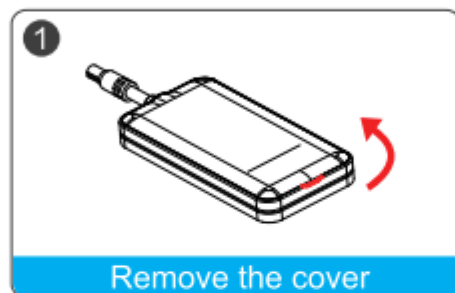
2) Insert the SIM card correctly



## 5. Operation of device

### 5.1 Power on

Remove the cover, turn on battery (switch is in ON position, internal power starts and device power on. The internal power is used when external power is cut off) and connect the external power, you will see power indicator lights up and begin to supply power.



### 5.2 Power off

To power off the device, cut off external power first and remove the front cover to move the battery switch to OFF. Power indicator is OFF and battery charging stops the moment device turned off.

## 6. APP/Platform operation

Get registered on the designated service platform by authorized dealer, then you can start the tracking service and settings.

## 7. Main Functions

### 7.1 Power cut-off alert

When the electricity supply of device is cut off, it will activate cut-off alarm. (Battery switch should be in ON position)

### 7.2 Low battery alert

When battery is low, the device will activate low battery alarm. Alert message will be uploaded to backstage (if this function is activated by APP or platform).

### 7.3 Displacement alert (Default OFF)

Device will send movement alarm when vehicle moves out the pre-set distance (when ACC is off and GPS is fixed).

### 7.4 Vibration alert (Default OFF)

When vehicle vibrates several times, the vibration alarm will be triggered. If no ignition after 3 minutes (ACC OFF), the device will send vibration alarm message immediately.

### 7.5 Tamper alert

When light sensor detects unauthorized displacement from the original installation, device will send alert to SOS number. Alert method from be SMS, CALL or GPRS. Defaulted method is GPRS.

## 7.6 Oil/Electricity cut-off

When vehicle is stolen, oil/electricity cut-off command can be sent by platform or APP. To make sure the security of vehicle, tracker can only indicate to cut off oil when GPS is in valid position status, and the speed is less than 20KM/H.

**Note:**

1. To cut off oil/electricity, please make sure the ACC line is correctly connected.
2. To ensure vehicle's safety, the device won't cut off oil/electricity only if a) BD/GPS is positioning b) vehicle is in static or its speed is less than 20KM/H.

If above requirements can't be met, oil/electricity cut-off command will be delayed.

## 7.7 Restore oil/electricity

When alarm is cancelled, user can send restore oil/electricity command by platform or APP and restore vehicle power.

**Note:**

To receive alert messages, pre-set SOS number is essential for functions mentioned above. Please log in the APP or Website to set.